

Sterling Stairlifts

Sterling
Stairlifts

1000 & 2000
stairlifts





Discover the benefits of a Sterling stairlift

Designed with users in mind, the Sterling 1000 straight and 2000 curved stairlifts offer a safe, reliable and comfortable way of overcoming the problems that some people encounter when faced with using their stairs.

Sterling Stairlifts is a division of Minivator, a Quality Registered company that prides itself on supplying superior service and solutions. Over the past 30 years Minivator has helped thousands of people across the world gain access to areas in their homes and premises.

With additional powered features to choose from your lift can be tailored to meet your needs regardless of whether your staircase is straight or goes around corners.

Sterling Stairlifts – designed for you and your home.

Packed with features that make life easier



REMOTE CONTROL

You can send your stairlift to the top or bottom of the stairs, or call it back with the remote control handset.

Supplied as standard your remote controls can be wall mounted or handheld*.

*Not power hinge option



POWERED SWIVEL OPTION

With powered swivel, turning your Sterling stairlift at the top of the stairs couldn't be easier.

Simply retain pressure on the paddle switch at the end of your journey and the powered swivel will automatically turn you round to face the landing.



MANUAL SWIVEL

Sterling's manual swivel system is operated from specially designed levers located on both sides of the stairlift.

The manual swivel can be operated by pulling the lever up or pushing it down. This is particularly useful if individuals with different abilities will be using the stairlift.

Note: Perch seat does not swivel.



The Sterling 2000 track can be extended, space permitting. This allows the track to finish away from the stairs if you wish to dismount directly onto the landing.



The footrest is designed to finish level with the landing making it easier to transfer feet from one surface to another.

Safety as standard



Rapid response safety sensors stop the stairlift if it meets with an obstruction during travel. Once the obstruction is removed the stairlift can continue on its journey.



Finished with a durable anti-slip carpet the footrest folds away easily. Should you wish you may choose a powered link that will automatically fold your footrest up or down when the seat is folded, removing the need to bend.



ELEGANT STRAIGHT AND CURVED TRACKS

Whether your staircase is straight or goes around corners Sterling Stairlifts can supply the appropriate tracks to meet your needs. The Sterling 2000 can even accommodate spiral staircases.

As with Sterling's seats, aesthetics have been carefully considered. The 1000's hidden rack system provides a compact slim-line solution that nestles into the edge of the stairway.

Available in two colors as standard the 2000 track can also be supplied in any RAL color as a special order.



Every Sterling 2000 curved track is tailor made for your home. Your track is optimized to give you the best travel possible while fitting snugly to your wall or banister regardless of how it is configured.



With a skilled and dedicated research team, Sterling's passion for producing the best solutions resulted in the the tightest internal curve available from any stairlift manufacturer. In many cases the Sterling internal curve allows a stairlift to be fitted in locations that no other manufacturer can accommodate.

HINGE TRACKS



You need not worry that doorways will be obscured or that tracks will cause trip hazards. Sterling hinge tracks are available on both

the 1000 and 2000. Operated from the handset the track can be folded to eliminate obstructions. The 1000 can also be supplied with a manual hinge.

Both tracks are designed to fit closely to the edge of the stairs. This minimal intrusion leaves the stairway clear for other users.



An adjustable clip seatbelt is supplied as standard offering more security and safety when needed.

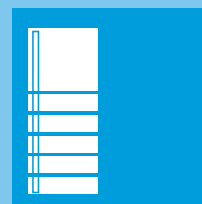


Discreetly hidden from view under the armrest the lockable key switch allows you to prevent unauthorized use of your stairlift.

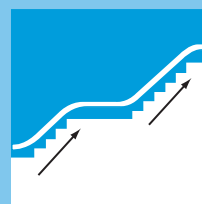


Because Sterling stairlifts are battery powered you need not worry about being stranded in the event of a power outage.

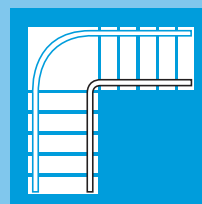
Examples of Sterling's versatile track configurations



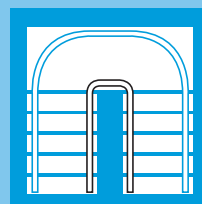
1000 Series.



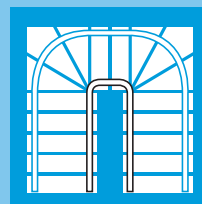
2000 Series. Bottom overrun, intermediate landing, top overrun.



2000 Series. Quarter landing (90 degree flat curve).



2000 Series. Hall landing (180 degree flat curve).



2000 Series. Fanned turns (90 or 180 degree spiral curve).

Sterling 2000 curved lifts are available with outside or inside rails.



outside rails



inside rails

COMFORTABLE SEATING OPTIONS



Available in three variations to suit individual needs, all Sterling seats are supplied with wipe clean, flame retardant upholstery in a choice of four colors. You can even replace upholstery later should you wish to change your color scheme.



Unique paddle switch

The unique paddle switch makes your Sterling stairlift simple and safe to operate and can be fitted on either arm. Just hold the paddle in the direction of travel. Even those with limited mobility or with painful conditions such as arthritis find Sterling stairlifts easy to operate.



Designed with input from occupational therapists, Sterling's operating paddle has been carefully located away from the surface of the armrest.

This gives you an ergonomically styled surface to hold when getting in or out of the seat.

The arms can also be lifted independently of each other to provide support on one

The Perch seat (above), available on both the 1000 and 2000 stairlifts provides the ideal option for users with limited hip and knee flexibility.

side while leaving the other free for side transfer if required.

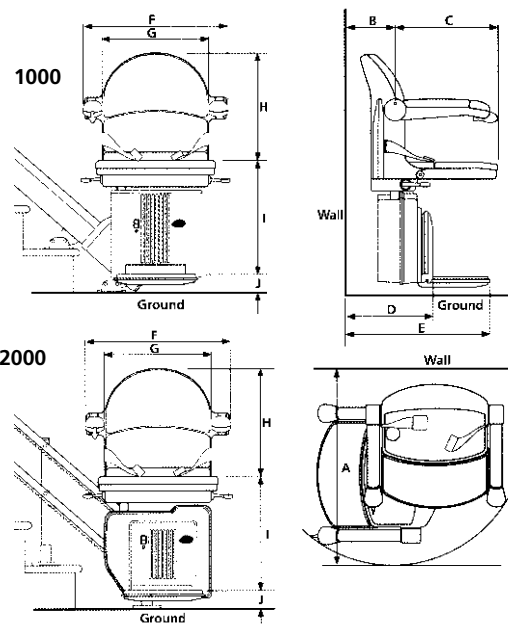
Compact and unobtrusive, the seat, arms and footrest can all be folded to maximize the free space in hallways, landings or stairs.

Internal bend



Sterling STAIRLIFTS

	1000	2000
A Minimum swivel radius	28 ¹ / ₂ "(725mm) ^{#A}	29"(740mm) ^{§A}
B Minimum wall to seat back	5 ³ / ₄ "(148mm) ^{#B}	6 ¹ / ₂ "(170mm) ^{§B}
C Seat depth	15 ³ / ₄ "(400mm)	15 ³ / ₄ "(400mm)
D Minimum folded width to footplate	15 ¹ / ₄ "(387mm)	15 ³ / ₄ "(400mm)
E Minimum open width to edge of footplate	26 ¹ / ₂ "(674mm)	26 ¹ / ₄ "(668mm)
F Armrest width – external	23 ¹ / ₂ "(595mm)	23 ¹ / ₂ "(595mm)
G Armrest width – internal	17 ¹ / ₄ "(440mm)	17 ¹ / ₄ "(440mm)
H Seat back height	16 ¹ / ₂ "(420mm)	16 ¹ / ₂ "(420mm)
I Footplate to seat height – standard seat	18 - 22 ¹ / ₂ " (455-570mm)	20 - 25" (509-634mm)
I Footplate to seat height – perch seat	21 - 34 ³ / ₄ " (530-880mm)	26 - 30 ³ / ₄ " (660-780mm)
J Minimum footplate height	3"(75mm)	2 ³ / ₄ "(70mm)
Minimum track intrusion into staircase	5 ¹ / ₂ "(142mm)	4 ¹ / ₂ "(116mm)
Minimum track intrusion into top landing – (typical at 45°)	3 ¹ / ₂ "(86mm)	NONE
Maximum weight capacity	302lb (137kg) [†]	302lb (137kg) [†]
Speed	5"(0.12m)/sec (approx)	
Power supply	24v DC battery	
Charger	110v	
Maximum staircase angle	56°	



[#]SpaceSaver™ seat A and B dimensions 26³/₄"(687mm) and 3¹/₄"(80mm) respectively
[§]SpaceSaver™ seat A and B dimensions 29"(740mm) and 5¹/₄"(137mm) respectively
^{*}With Heavy Duty Kit (Additional Cost).

[†]Dependent on option chosen



DESERT SAND



ROSE



FAIRWAY GREEN



COBALT BLUE

Straight rail outdoor stairlift is also available.



All Sterling stairlifts come with a five year drivetrain warranty. One year on all other parts. Please contact us for full warranty information.



Sterling Stairlifts, Inc.

10 Industrial Park Drive, PO Box 10,
Mount Pocono, PA 18344

Telephone 570 895 2480 • Toll free 866 276 LIFT(5438)

Fax 570 895 2481

www.sterling-stairlifts.com • info@sterling-stairlifts.com

Your Authorized Sterling Stairlifts dealer:

